

ALL STAINLESS LIMITED

21 CAMFORD WAY
SUNDON PARK
LUTON, BEDS
LU3 3AN

TELEPHONE: 01582 584075

FACSIMILE: 01582 585234

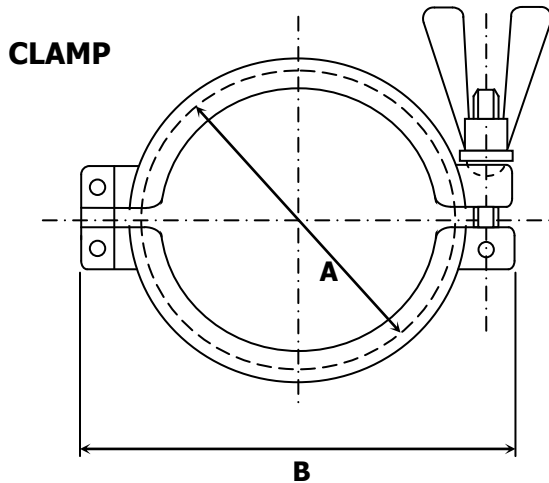
E-MAIL: INFO@ALLSTAINLESSLTD.CO.UK

INFORMATION SHEET

HYGIENIC CLAMP FITTINGS TO BS4825 PART 3

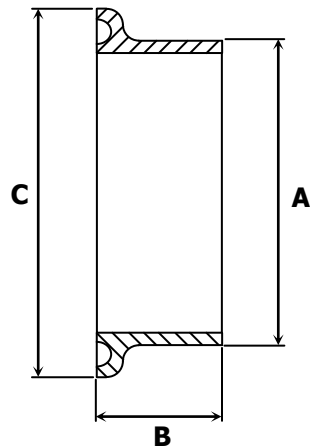
HYGIENIC FITTINGS CLAMP TYPE

We offer a range of clamp type fittings sizes ranging from 1/2" to 4" in 316 stainless. For further details and technical information please contact our sales department.



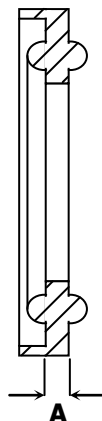
Size	1/2"	3/4"	1"	1 1/2"	2"	3"	4"
A	25	25	51	51	64	91	119
B	65	65	90	90	106	136	168

FERRULE



Size	1/2"	3/4"	1"	1 1/2"	2"	3"	4"
A	12.7	19.05	25.4	38.1	50.8	76.2	101.6
B	21	21	21	21	21	21	21
C	25.1	25.1	50.6	50.6	64	95	111

SEAL



Size	1/2"	3/4"	1"	1 1/2"	2"	3"	4"
A	2	2	2	2	2	2	2