

ALL STAINLESS LIMITED

21 Camford Way
Sundon Park
Luton, Beds
LU3 3AN

Telephone: 01582 584075

Facsimile: 01582 585234

E-mail: info@allstainlessltd.co.uk

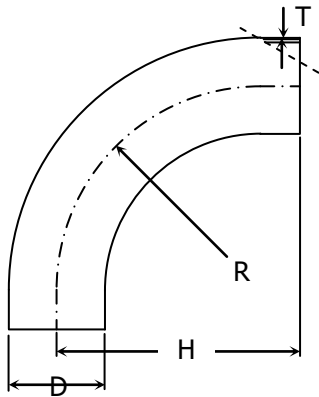
INFORMATION SHEET

HYGIENIC FITTINGS

Hygienic Fittings

We offer a full range of Hygienic Tube and Fittings ranging from 1/2" to 4" OD. 90° Bends are available in a range of radii ranging from 1xDiameter to 3xDiameter. All fittings are available in both polished and descaled finishes. For further information please contact our sales desk.

90° Bend



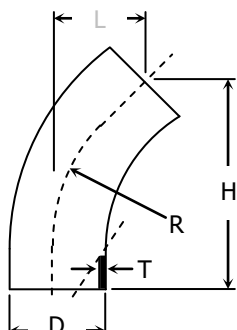
	∅ D	T	R	H
1 x D	1"	1.6	25.4	55
	1 1/2"	1.6	38.1	70
	2"	1.6	50.8	82
	2 1/2"	1.6	63.5	105
	3"	1.6	76.2	110
	4"	1.6	101.6	115

	∅ D	T	R	H
1.5 x D	1/2"	1.6	25	65
	3/4"	1.6	32	65
	1"	1.6	38	65
	1 1/4"	1.6	51	85
	1 1/2"	1.6	57	85
	2"	1.6	76	110
	2 1/2"	1.6	95	135
	3"	1.6	114	155
4"	1.6	152	195	

	∅ D	T	R	H
2 x D	1"	1.6	50.8	102
	1 1/2"	1.6	76.2	115
	2"	1.6	101.6	132
	2 1/2"	1.6	127.0	178
	3"	1.6	152.4	216
	4"	1.6	203.2	310

	∅ D	T	R	H
3 x D	1"	1.6	76.2	127
	1 1/2"	1.6	114.3	173
	2"	1.6	152.4	205
	2 1/2"	1.6	190.5	316
	3"	1.6	228.6	426
	4"	1.6	404.8	502

45° Bend



∅ D	T	R	L	H
1"	1.6	38	16	39
1 1/2"	1.6	57	22	54
2"	1.6	76	32	79
2 1/2"	1.6	95	42	104
3"	1.6	114	50	120
4"	2.0	152	59	145