

ALL STAINLESS LIMITED

21 Camford Way
Sundon Park
Luton, Beds
LU3 3AN

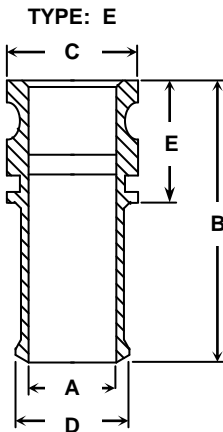
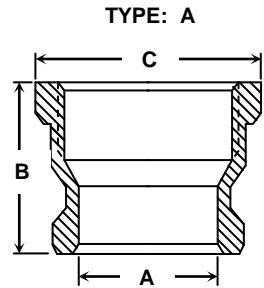
Telephone: 01582 584075

Facsimile: 01582 585234

E-mail: info@allstainlessltd.co.uk

INFORMATION SHEET

QUICK RELEASE COUPLINGS

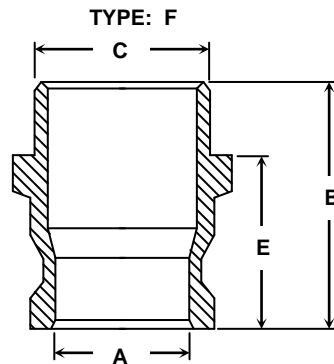
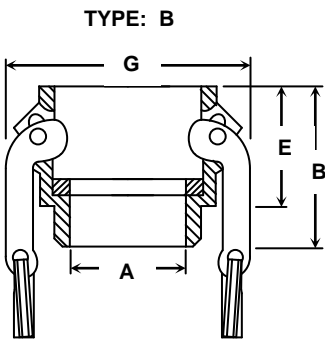


TYPE: A (BSP OR NPT FEMALE)

	3/4"	1"	1 1/4"	1 1/2"	2"	2 1/2"	3"	4"
A	21.0	23.8	30.8	38.5	46.0	58.0	74.8	101.3
B	39.0	48.5	52.5	54.0	61.7	68.0	70.0	74.6
C	39.2	43.8	51.9	60.4	74.7	88.3	87.8	126.8

TYPE: B (BSP OR NPT MALE)

	3/4"	1"	1 1/4"	1 1/2"	2"	2 1/2"	3"	4"
A	19.0	25.0	32.8	39.0	50.8	53.0	76.2	100.8
B	51.0	58.0	67.2	65.7	70.7	83.3	86.5	88.8
E	32.0	39.0	44.5	45.0	50.0	54.3	55.5	55.5
G	53.3	60.9	82.6	90.3	99.8	112.4	137.8	165.6

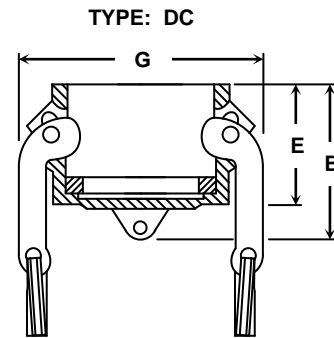
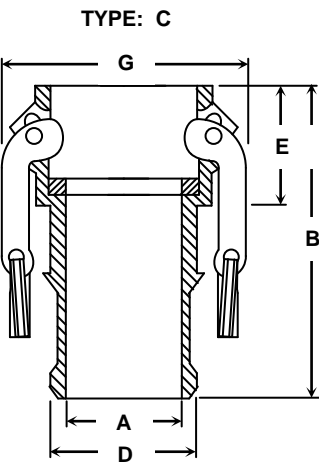


TYPE: C (HOSETAIL)

	3/4"	1"	1 1/4"	1 1/2"	2"	2 1/2"	3"	4"
A	13.8	19.8	25.9	32.5	44.5	56.7	68.0	93.4
B	82.8	96.2	102.5	104.0	129.0	142.7	157.1	163.9
D	21.0	27.0	33.7	40.1	52.7	55.3	79.0	104.4
E	32.0	39.0	44.5	45.0	50.0	54.3	55.5	55.5
G	53.3	60.9	82.6	90.3	99.5	112.4	137.6	165.6

TYPE: D (BSP OR NPT FEMALE)

	3/4"	1"	1 1/4"	1 1/2"	2"	2 1/2"	3"	4"
A	21.0	25.0	34.9	39.0	50.8	63.0	76.2	100.8
B	51.0	61.0	67.5	67.0	72.2	83.3	86.5	88.8
E	32.0	39.0	44.5	45.0	50.0	54.3	55.5	55.5
G	53.3	60.9	82.6	90.3	99.8	112.4	137.6	165.6

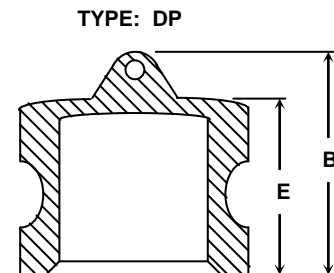
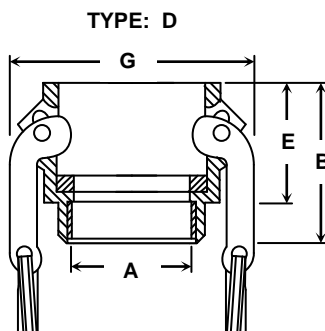


TYPE: E (HOSETAIL)

	3/4"	1"	1 1/4"	1 1/2"	2"	2 1/2"	3"	4"
A	13.8	19.8	25.8	32.3	44.5	56.7	68.0	93.4
B	86.3	105.8	109.5	113.0	138.5	149.5	156.6	174.5
C	35.0	38.0	48.0	55.4	65.3	79.3	93.5	121.5
D	21.0	27.0	33.7	40.1	52.7	66.3	79.0	104.4
E	35.5	48.5	51.5	54.0	59.5	81.5	65.0	66.5

TYPE: F (BSP OR NPT MALE)

	3/4"	1"	1 1/4"	1 1/2"	2"	2 1/2"	3"	4"
A	21.0	23.8	30.8	38.5	46.0	58.0	74.8	101.3
B	58.0	67.5	73.2	74.7	82.4	97.0	101.0	107.9
C	39.2	43.8	51.9	50.4	74.7	82.3	97.8	126.8
E	39.0	48.5	52.5	54.0	61.7	68.0	70.0	74.6



TYPE: DC (DUST CAP)

	3/4"	1"	1 1/4"	1 1/2"	2"	2 1/2"	3"	4"
B	46.0	53.0	58.5	59.4	65.7	69.8	71.5	72.0
E	34.0	41.0	46.5	47.4	53.2	57.8	59.5	60.0
G	53.3	60.8	82.6	90.3	99.8	112.4	137.8	165.6

TYPE: DP (DUST PLUG)

	3/4"	1"	1 1/4"	1 1/2"	2"	2 1/2"	3"	4"
B	40.5	48.5	54.0	56.6	63.4	65.0	67.0	88.6
E	27.5	36.5	42.0	44.0	50.8	53.0	55.0	57.6