

# ALL STAINLESS LIMITED

21 Camford Way  
Sundon Park  
Luton, Beds  
LU3 3AN

Telephone: 01582 584075

Facsimile: 01582 585234

E-mail: info@allstainlessltd.co.uk

## INFORMATION SHEET

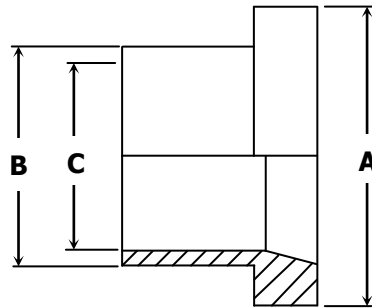
### HYGIENIC FITTINGS RJT (BS1864)

#### HYGIENIC FITTINGS RJT (BS1864)

We offer a full range of RJT fittings ranging in sizes from 1" to 4", in both 304 and 316 grades of stainless steel. For further details and technical help, please contact our sales department.



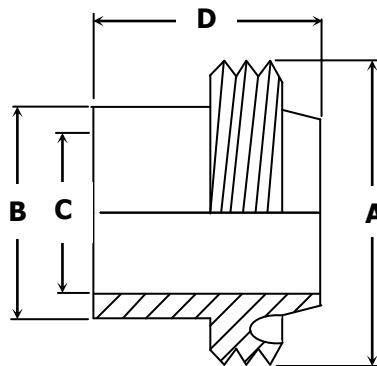
LINER



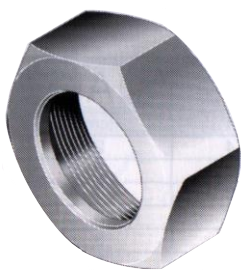
Size	1"	1 1/2"	2"	2 1/2"	3"	4"
A	41	54	67	80	92	117
B	25.4	38.1	50.8	63.5	76.2	101.6
C	22.2	34.9	47.6	60.3	73.0	97.6



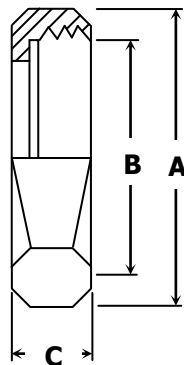
MALE PART



Size	1"	1 1/2"	2"	2 1/2"	3"	4"
A	46	59	73	86	98	124
B	25.4	38.1	50.8	63.5	76.2	101.6
C	22.2	34.9	47.6	60.3	73.0	97.6
D	23	36	48	61	72	98



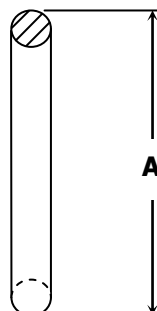
NUT



Size	1"	1 1/2"	2"	2 1/2"	3"	4"
A	51	65	79	92	105	130
B	46	59	73	86	98	124
C	22	22	22	22	22	22



JOINT RING



Size	1"	1 1/2"	2"	2 1/2"	3"	4"
A	40	52	65	78	90	116